

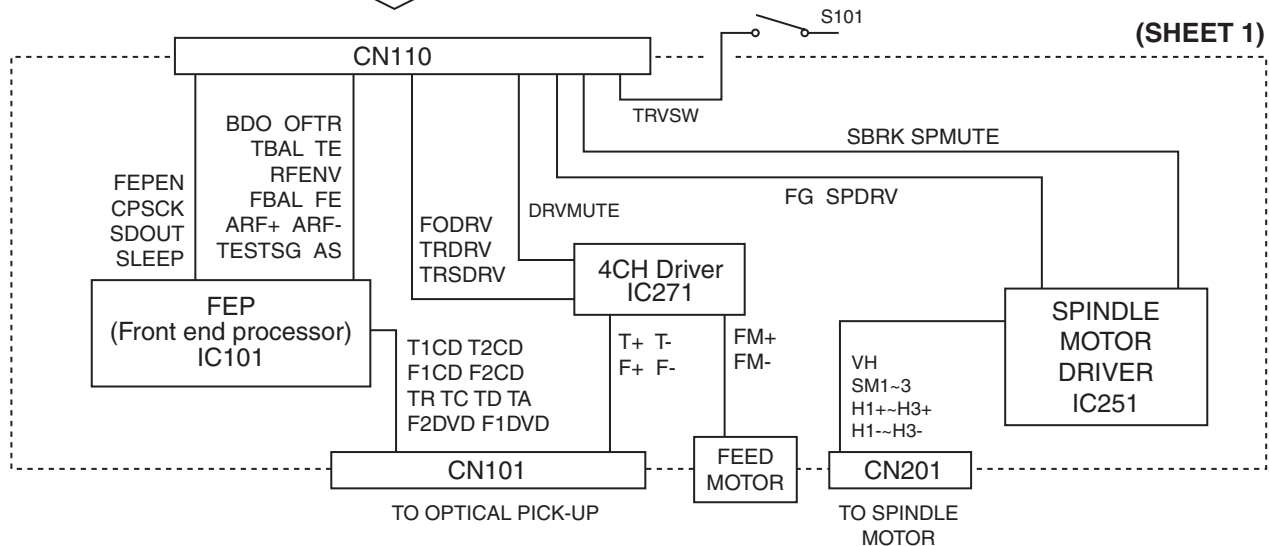
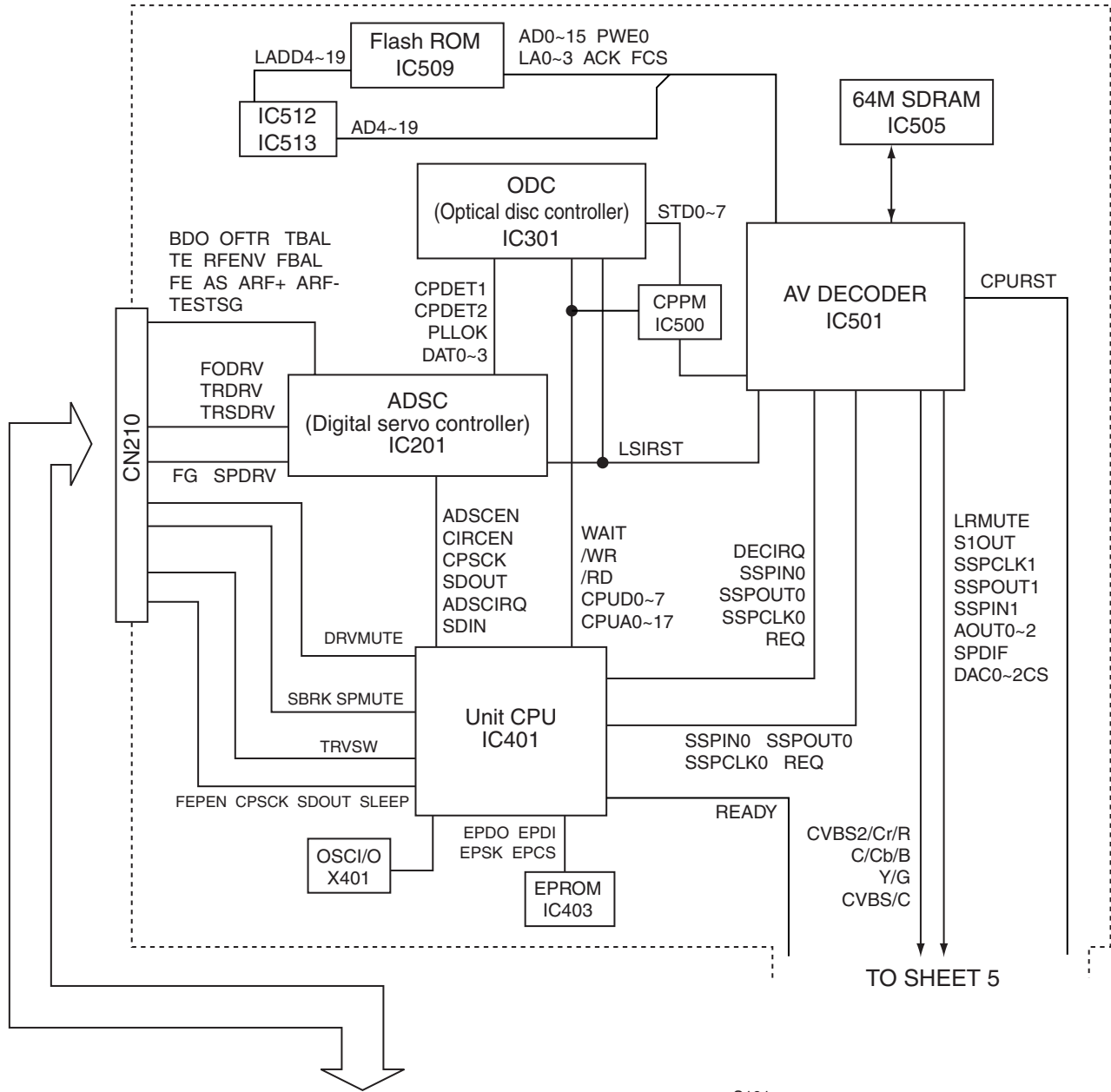
Safety precaution

In regard with component parts appearing on the silk-screen printed side (parts side) of the PWB diagrams, the parts that are printed over with black such as the resistor (■), diode (▣) and ICP (●) or identified by the "△" mark nearby are critical for safety. When replacing them, be sure to use the parts of the same type and rating as specified by the manufacturer. (Except the JC version)

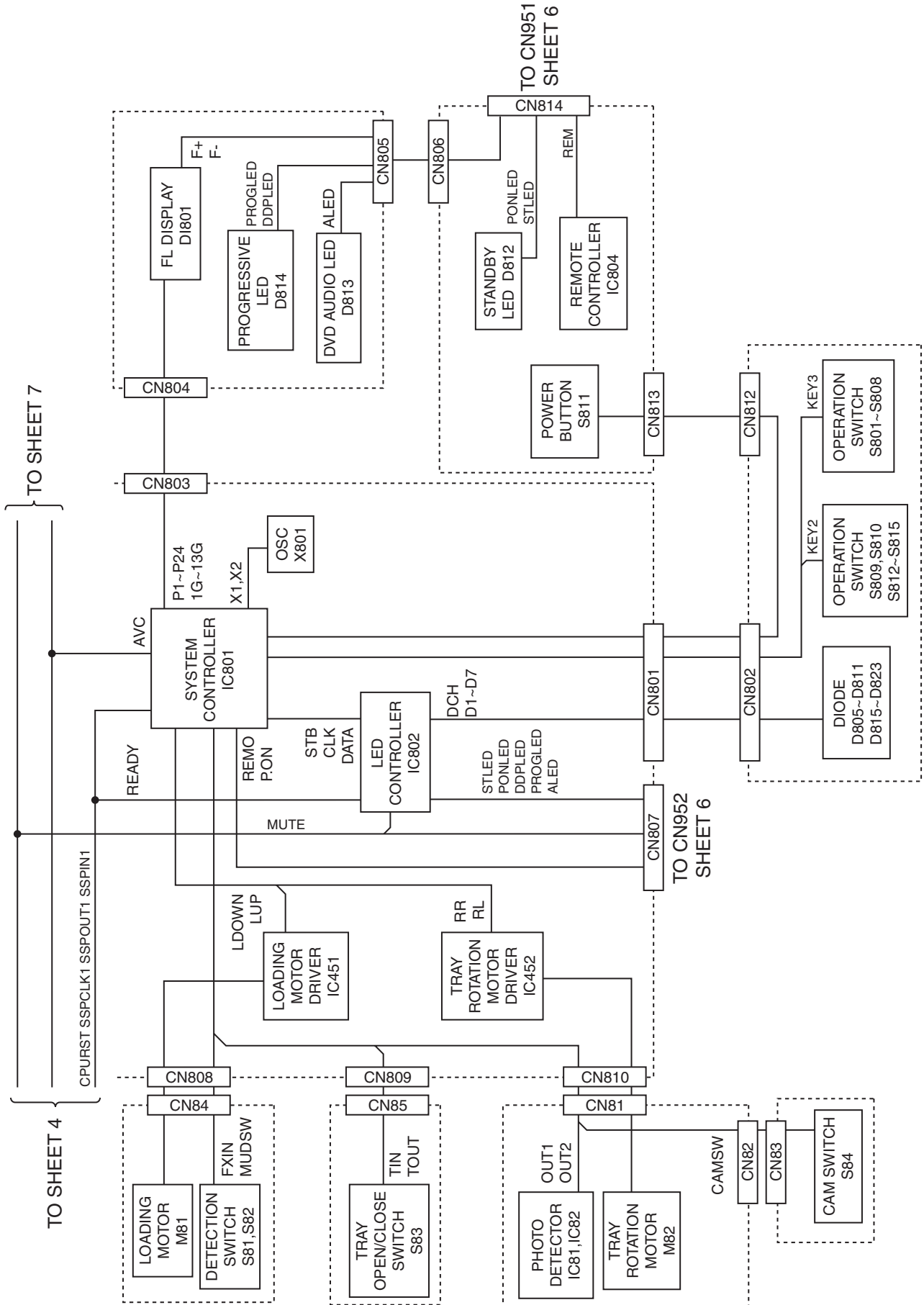
Block diagrams

■ DVD Servo control & AV decoder section (SHEET 1,2,3,4)

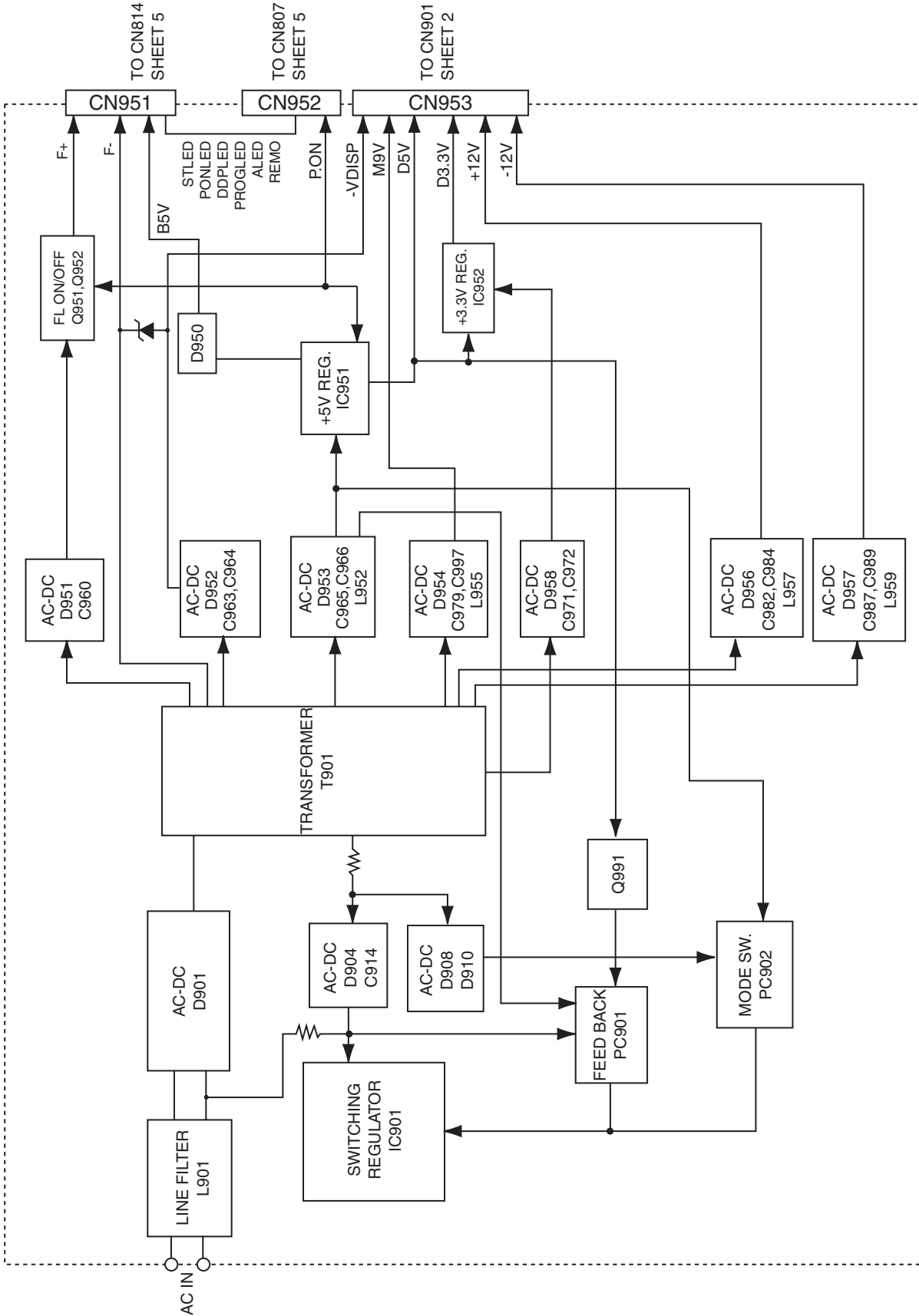
(SHEET 2,3,4)



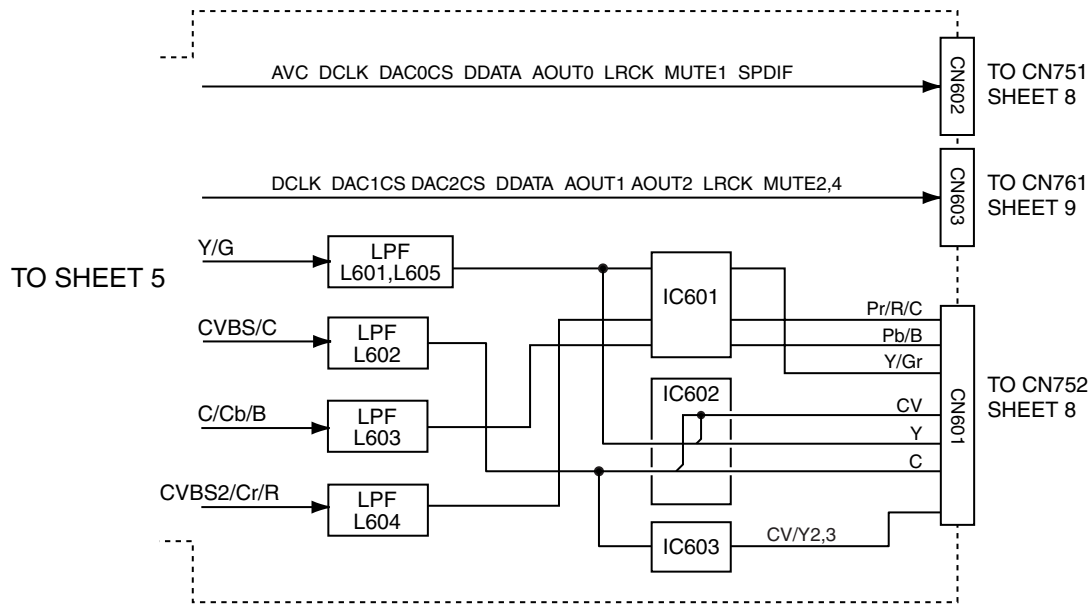
FL Display & system control section (SHEET 5)



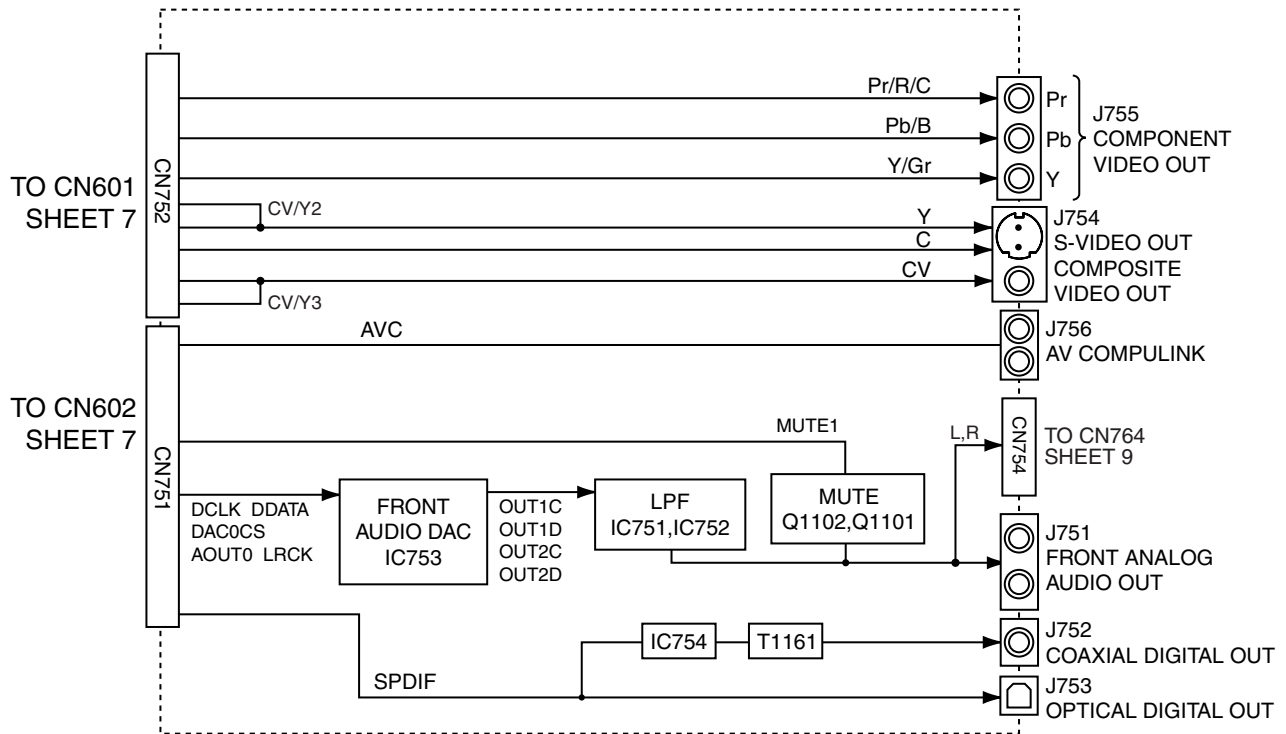
■ Power supply section (SHEET 6)



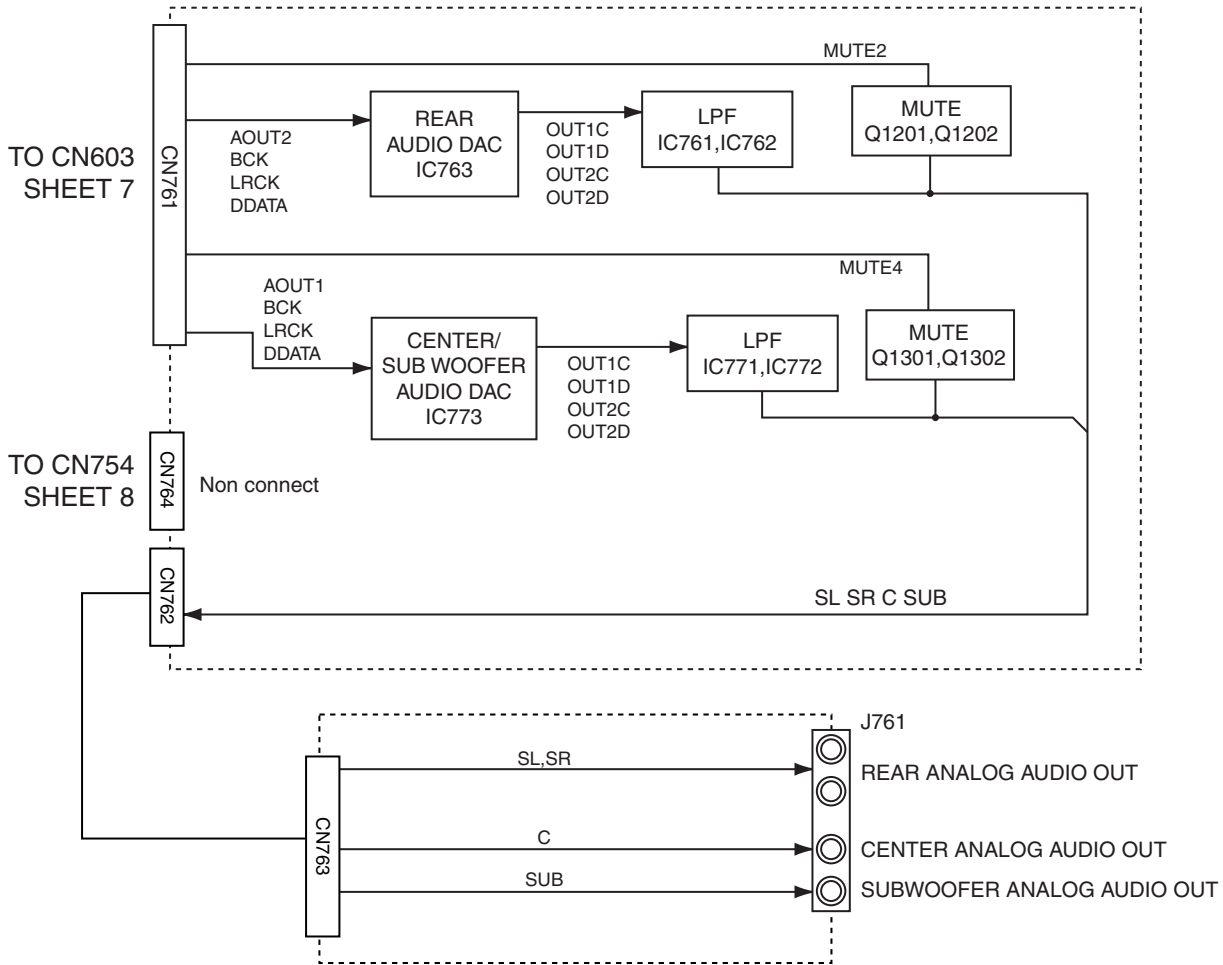
■ Video signal driver section (SHEET 7)



■ AUDIO/VIDEO Signal output section (SHEET 8)



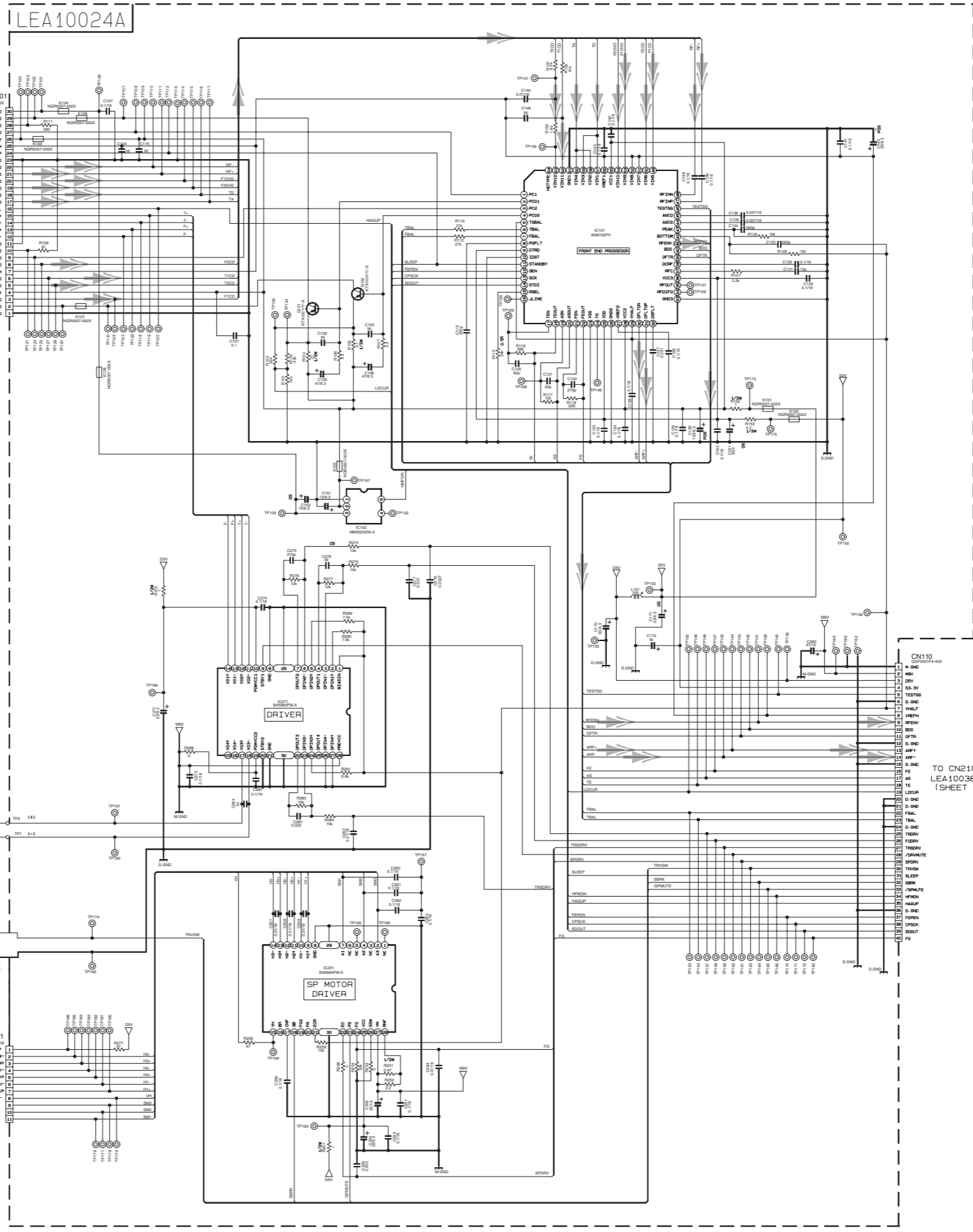
■ Surround audio signal output section (SHEET 9)



Standard schematic diagrams

■ Frontend & motor drive section

6
5
4
3
2
1



To pick up unit

To spindle motor

TO CN210 OF
LEA10038-A1
(SHEET 2)

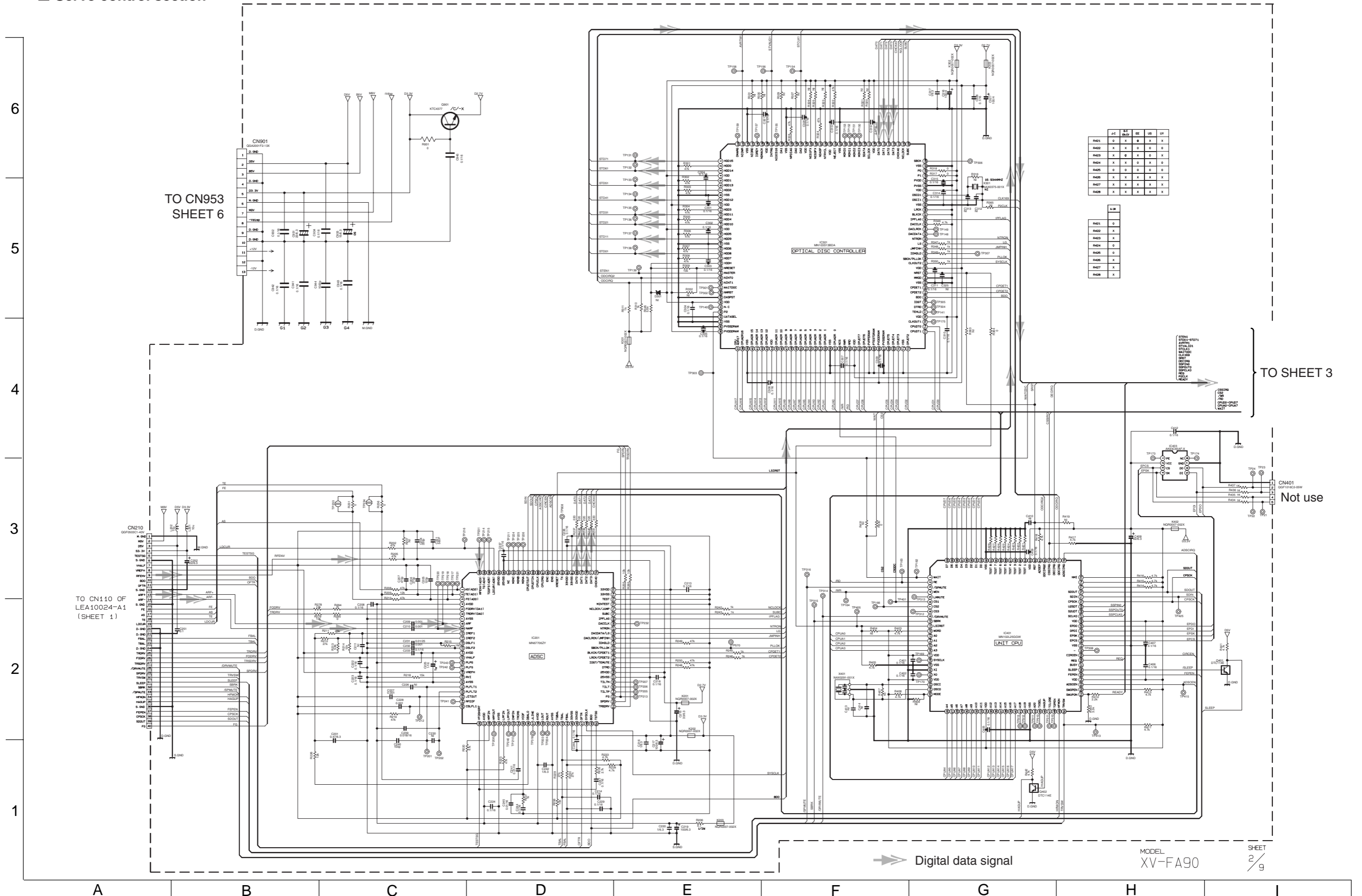
➡ Digital data signal

MODEL
XV-FA90

SHEET
1/9

A B C D E F G H I

■ Servo control section



	JE	KT	BE	UB	UV
R421	0	x	0	x	x
R422	x	x	0	0	0
R423	x	0	x	0	x
R424	x	0	0	x	0
R425	x	x	x	x	x
R426	x	x	x	x	x
R427	x	x	x	x	x
R428	x	x	x	x	x

L.W

R421	0
R422	x
R423	x
R424	0
R425	x
R426	x
R427	x
R428	x

TO SHEET 3

Not use

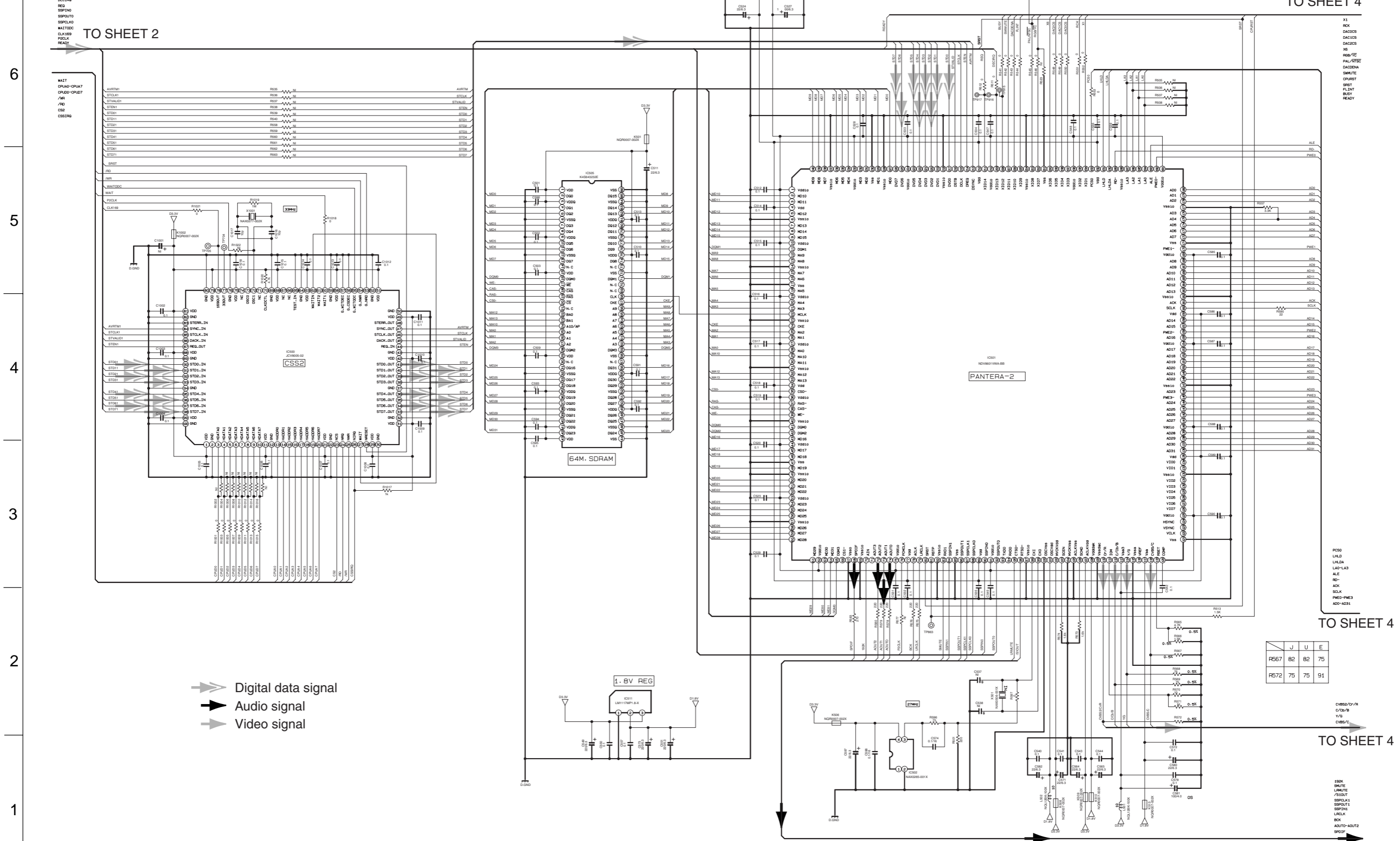
➔ Digital data signal

AV Decoder section

STD01~STD71
STEN1
STVALD01
AVRTM1
STOLK1
SPBT
DESD0A
REG
SSP1ND
SSP1OD
SSP1AO
MALT0DC
CLK169
PCLK
READY

TO SHEET 2

TO SHEET 4



➡ Digital data signal
➡ Audio signal
➡ Video signal

	J	U	E
R567	82	82	75
R572	75	75	91

PC50
LHD
LHD.A
LAC-LA3
A.E
RD-
ACK
SCLK
PWE0-PWE3
ADD-AD31

TO SHEET 4

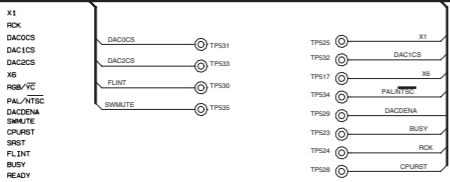
TO SHEET 4

TO SHEET 4

MODEL XV-FA90

SHEET 3/9

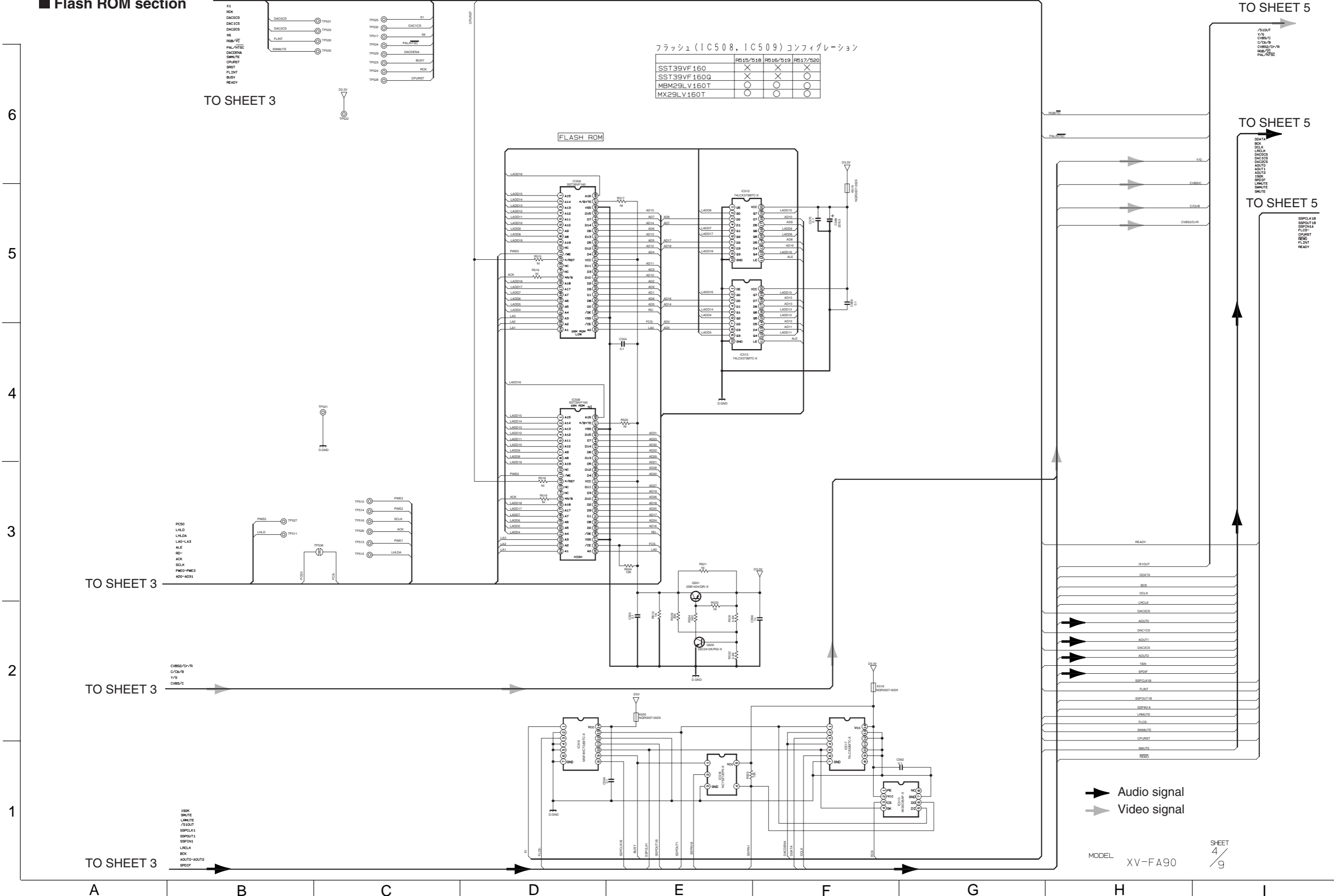
Flash ROM section



TO SHEET 3

フラッシュ (IC508, IC509) コンフィグレーション

	RS15/S18	RS16/S19	RS17/S20
SST39VF160	X	X	X
SST39VF160Q	X	X	O
MBM29LV160T	O	O	O
MX29LV160T	O	O	O



TO SHEET 5

TO SHEET 5

TO SHEET 5

TO SHEET 5

TO SHEET 5

TO SHEET 5

TO SHEET 5

TO SHEET 5

TO SHEET 5

TO SHEET 5

TO SHEET 5

TO SHEET 5

TO SHEET 5

TO SHEET 5

TO SHEET 5

TO SHEET 5

TO SHEET 5

TO SHEET 5

TO SHEET 5

TO SHEET 5

TO SHEET 5

TO SHEET 5

TO SHEET 5

TO SHEET 5

TO SHEET 5

TO SHEET 5

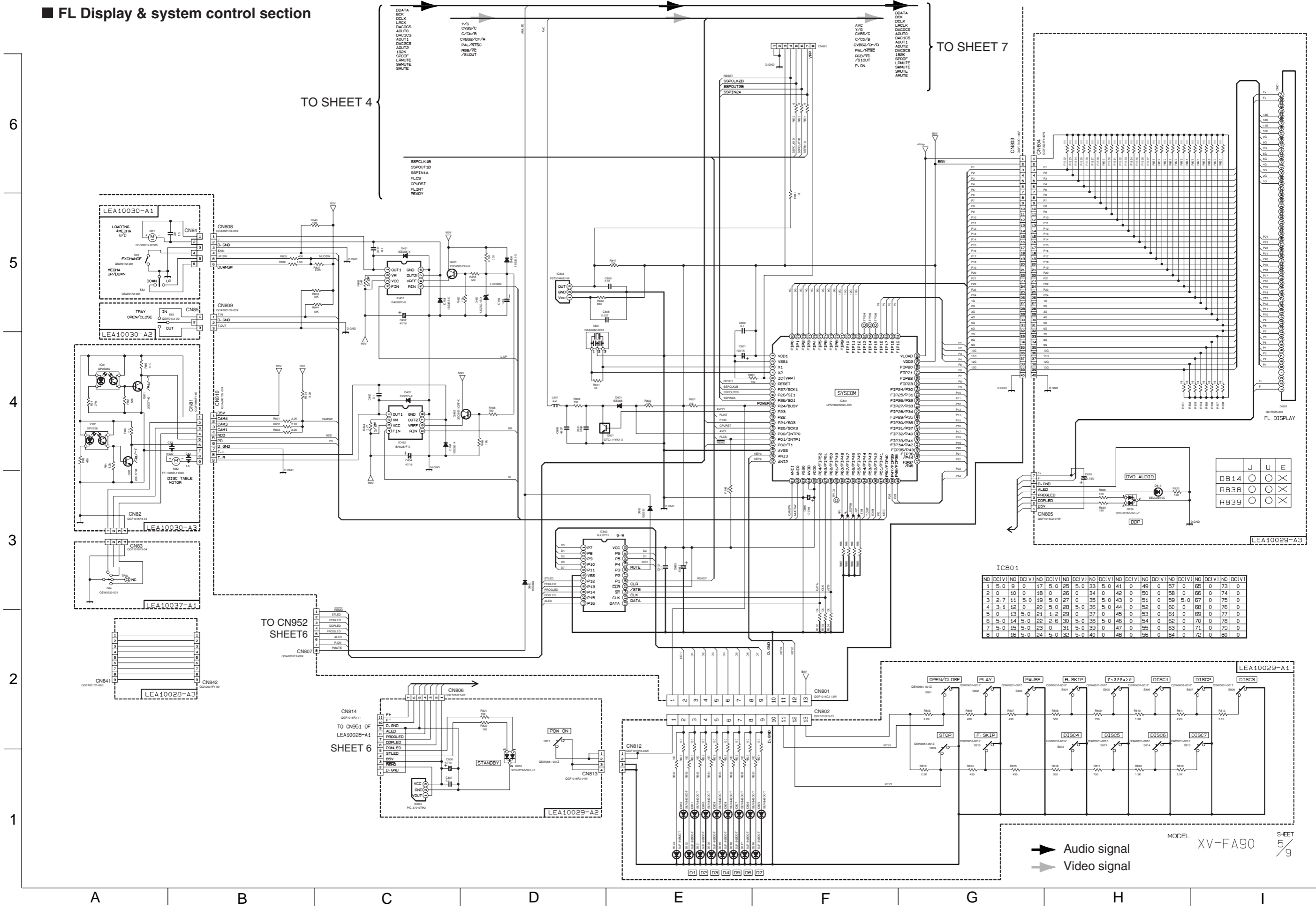
TO SHEET 5

➔ Audio signal
➤ Video signal

MODEL XV-FA90

SHEET 4/9

FL Display & system control section



IC801

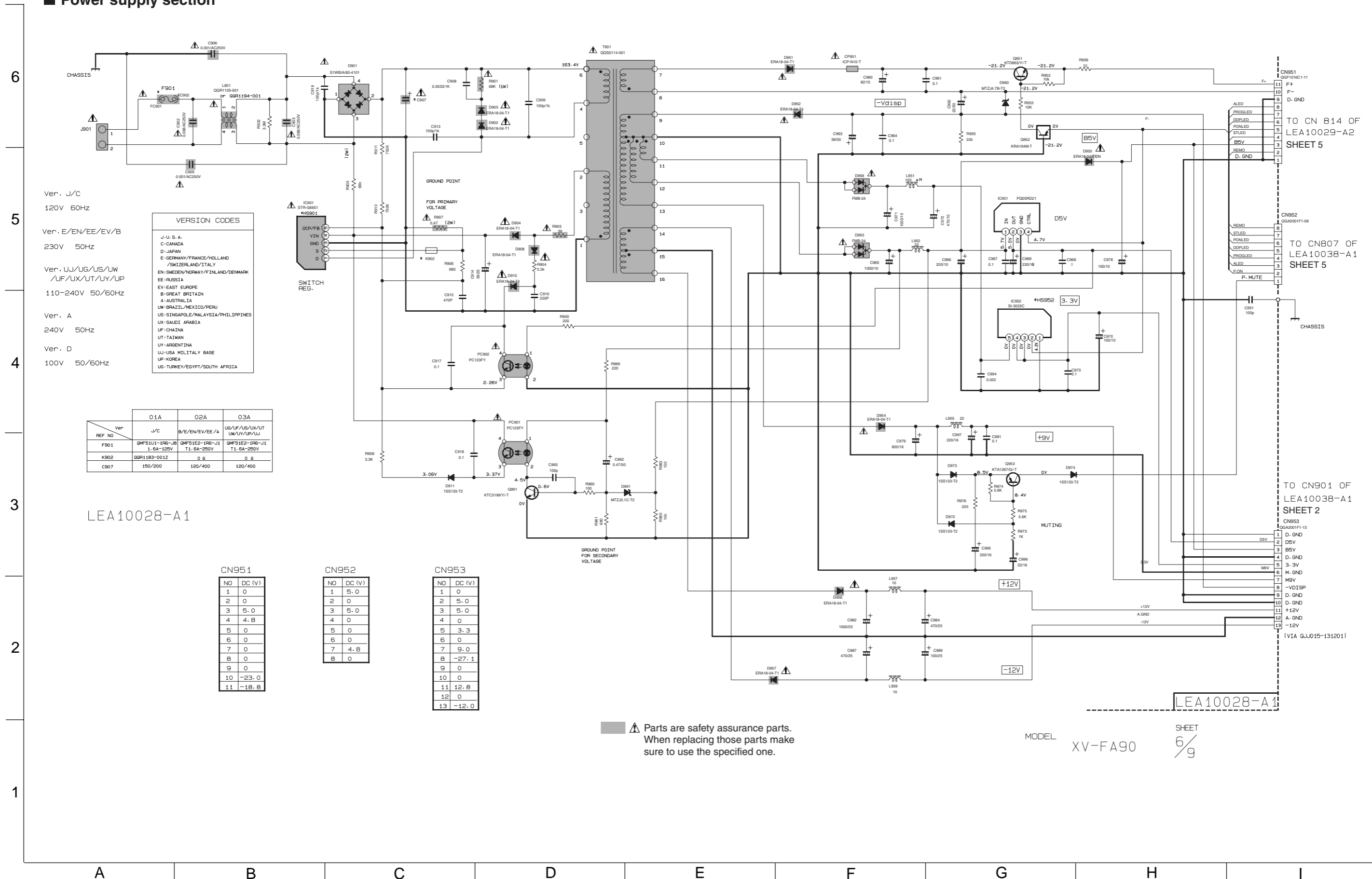
NO	DC(V)	NO	DC(V)	NO	DC(V)	NO	DC(V)	NO	DC(V)	NO	DC(V)	NO	DC(V)	NO	DC(V)	NO	DC(V)	NO	DC(V)	NO	DC(V)	NO	DC(V)
1	5.0	9	0	17	5.0	25	5.0	33	5.0	41	0	49	0	57	0	65	0	73	0				
2	0	10	0	18	0	26	0	34	0	42	0	50	0	58	0	66	0	74	0				
3	2.7	11	5.0	19	5.0	27	0	35	5.0	43	0	51	0	59	5.0	67	0	75	0				
4	3.1	12	0	20	5.0	28	5.0	36	5.0	44	0	52	0	60	0	68	0	76	0				
5	0	13	5.0	21	1.2	29	0	37	0	45	0	53	0	61	0	69	0	77	0				
6	5.0	14	5.0	22	2.6	30	5.0	38	5.0	46	0	54	0	62	0	70	0	78	0				
7	5.0	15	5.0	23	0	31	5.0	39	0	47	0	55	0	63	0	71	0	79	0				
8	0	16	5.0	24	5.0	32	5.0	40	0	48	0	56	0	64	0	72	0	80	0				

➔ Audio signal
➔ Video signal

6
5
4
3
2
1

A B C D E F G H I

Power supply section



Ver. J/C
120V 60Hz

Ver. E/EN/EE/EV/B
230V 50Hz

Ver. UJ/UG/US/UP
/UF/UX/UT/UY/UP
110-240V 50/60Hz

Ver. A
240V 50Hz

Ver. D
100V 50/60Hz

VERSION CODES			
J	U.S.A.		
C	CANADA		
D	JAPAN		
E	GERMANY/France/HOLLAND		
/	SWITZERLAND/ITALY		
EN	SWEDEN/NORWAY/FINLAND/DENMARK		
EE	RUSSIA		
EV	EAST EUROPE		
B	GREAT BRITAIN		
A	AUSTRALIA		
UN	BRAZIL/MEXICO/PERU		
US	SINGAPOLE/MALAYSIA/PHILIPPINES		
UX	SAUDI ARABIA		
UF	CHINA		
UT	TAIWAN		
UY	ARGENTINA		
UU	USA MILITARY BASE		
UP	KOREA		
UG	TURKEY/EGYPT/SOUTH AFRICA		

Ver. REF NO	01A	02A	03A
	J/C	B/E/EN/EE/EA	UG/UF/US/UX/UT UN/UY/UP/UP
F901	QMFS1U1-1R6-JB 1.6A-125V	QMFS1E2-1R6-J1 T1.6A-250V	QMFS1E2-1R6-J1 T1.6A-250V
K902	QQR11B3-001Z	0.0	0.0
C907	150/200	120/400	120/400

LEA10028-A1

CN951	
NO	DC (V)
1	0
2	0
3	5.0
4	4.8
5	0
6	0
7	0
8	0
9	0
10	-23.0
11	-18.8

CN952	
NO	DC (V)
1	5.0
2	0
3	5.0
4	0
5	0
6	0
7	4.8
8	0

CN953	
NO	DC (V)
1	0
2	5.0
3	5.0
4	0
5	3.3
6	0
7	9.0
8	-27.1
9	0
10	0
11	12.8
12	0
13	-12.0

Parts are safety assurance parts.
When replacing those parts make
sure to use the specified one.

MODEL XV-FA90 SHEET 6/9

TO CN 814 OF
LEA10029-A2
SHEET 5

TO CN807 OF
LEA10038-A1
SHEET 5

TO CN901 OF
LEA10038-A1
SHEET 2

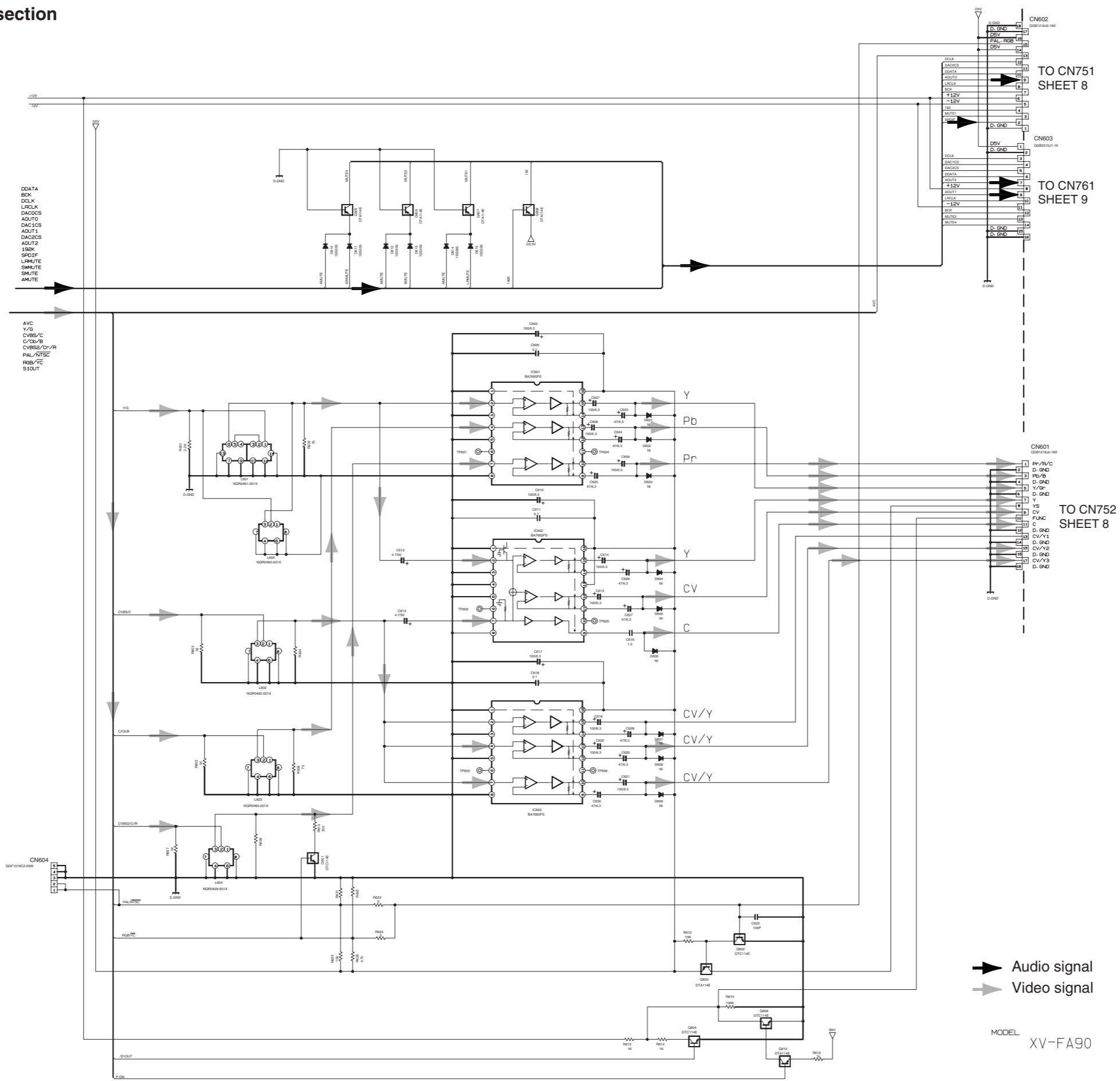
CN953
1 D. GND
2 D5V
3 B5V
4 D. GND
5 M. GND
6 MSV
7
8 -V01SP
9 D. GND
10 D. GND
11 +12V
12 A. GND
13 -12V
(VIA QJ015-131201)

LEA10028-A1

Video signal driver section

6
5
4
3
2
1

TO SHEET 5



➔ Audio signal
➤ Video signal

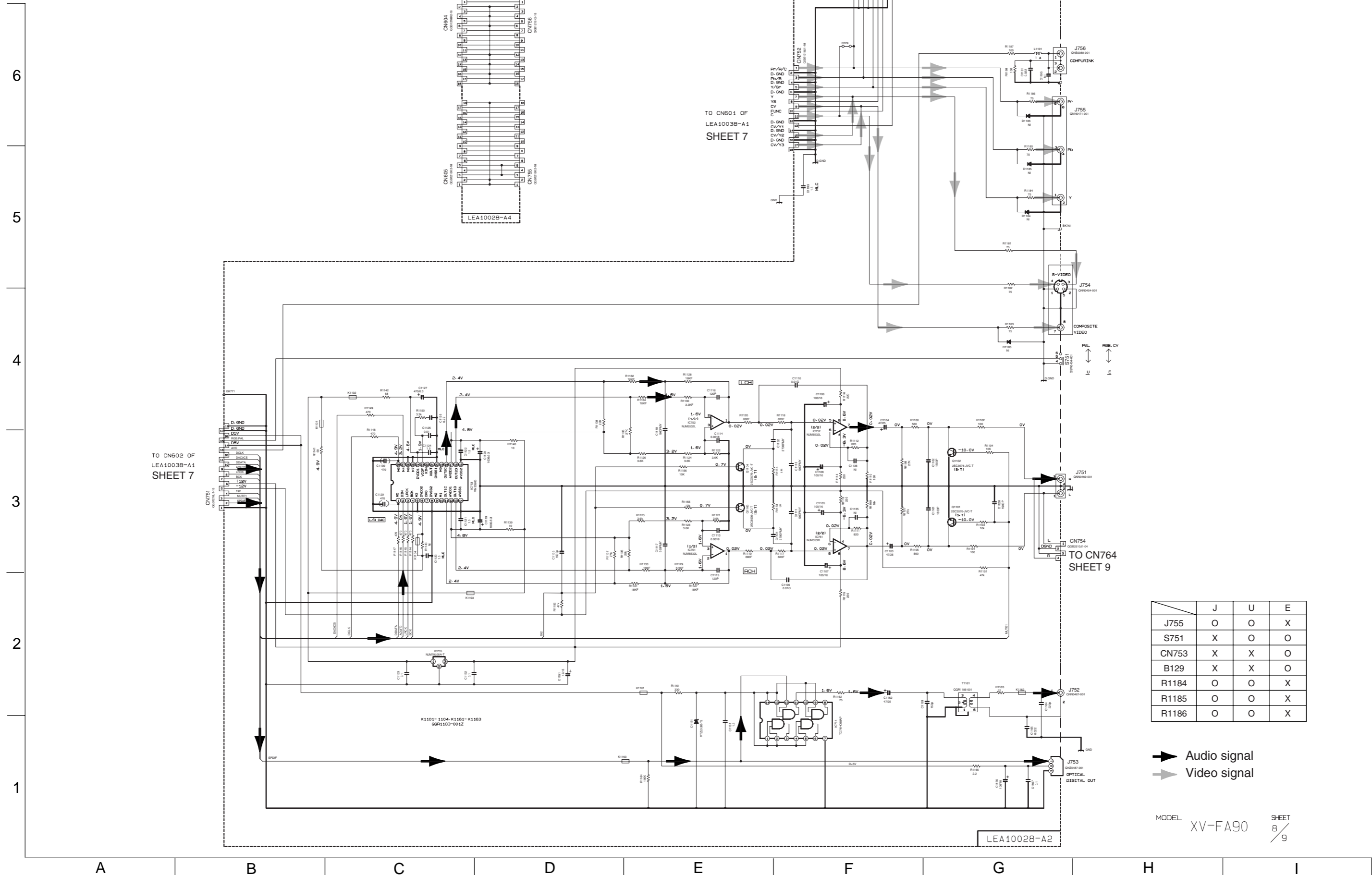
MODEL XV-FA90

SHEET 7/9

	J	U	E
IC602	O	O	X
IC603	X	X	O
C610	O	O	X
C611	O	O	X
C612	O	O	X
C613	O	O	X
C614	O	O	X
C615	O	O	X
C616	O	O	X
C617	X	X	O
C618	X	X	O
C619	X	X	O
C620	X	X	O
C621	X	X	O
C622	X	O	O
C626	O	O	X
C627	O	O	X
C628	X	X	O
C629	X	X	O
C630	X	X	O
Q601	X	X	O
Q602	X	X	O
Q603	X	X	O
Q604	X	X	O
Q609	X	X	O
Q610	X	X	O
R601	O	O	X
R604	82	82	75
R605	O	O	X
R607	O	O	X
R608	75	75	82
R610	X	X	O
R612	X	X	O
R613	X	X	O
R614	X	X	O
R615	X	X	O
R616	X	X	O
R621	0ohm	20K	20K
R622	0ohm	0ohm	X
R623	X	O	X
R624	X	X	O
R625	X	O	O
R626	X	X	O
L601	O	O	X
L605	X	X	O

A B C D E F G H I

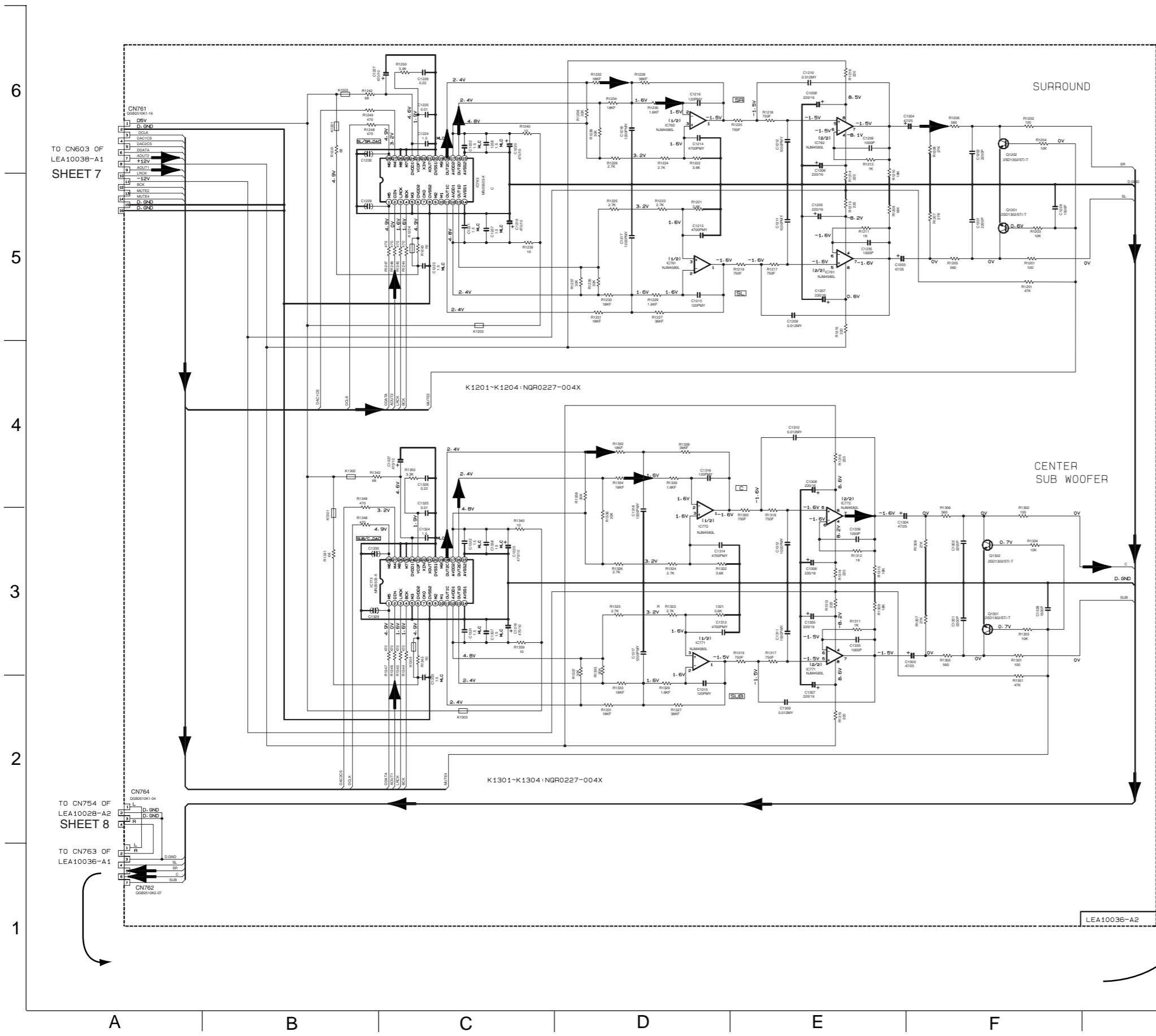
■ Audio / video signal output section



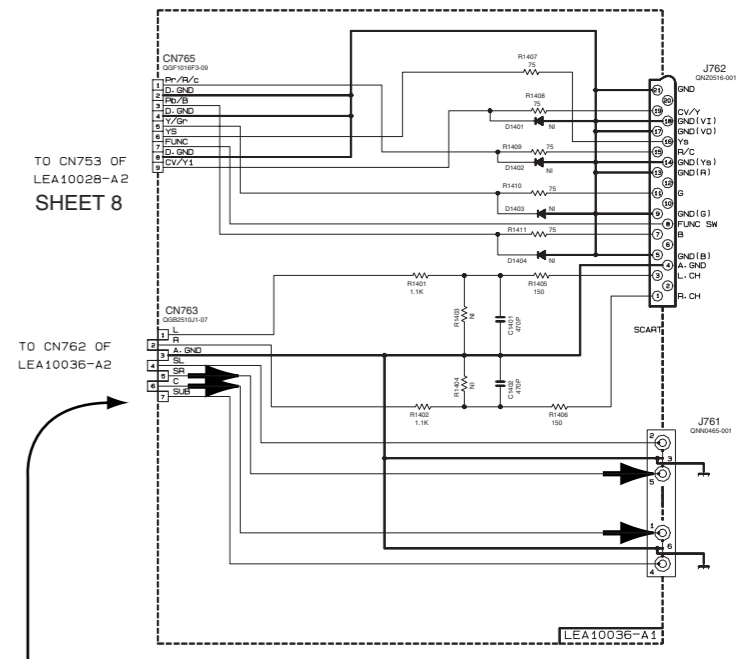
	J	U	E
J755	O	O	X
S751	X	O	O
CN753	X	X	O
B129	X	X	O
R1184	O	O	X
R1185	O	O	X
R1186	O	O	X

➔ Audio signal
➔ Video signal

■ Surround audio signal output section



	J	U	E
C1401	X	X	O
C1402	X	X	O
R1401	X	X	O
R1402	X	X	O
R1403	X	X	O
R1404	X	X	O
R1405	X	X	O
R1406	X	X	O
R1407	X	X	O
R1408	X	X	O
R1409	X	X	O
R1410	X	X	O
R1411	X	X	O
J762	X	X	O
CN765	X	X	O

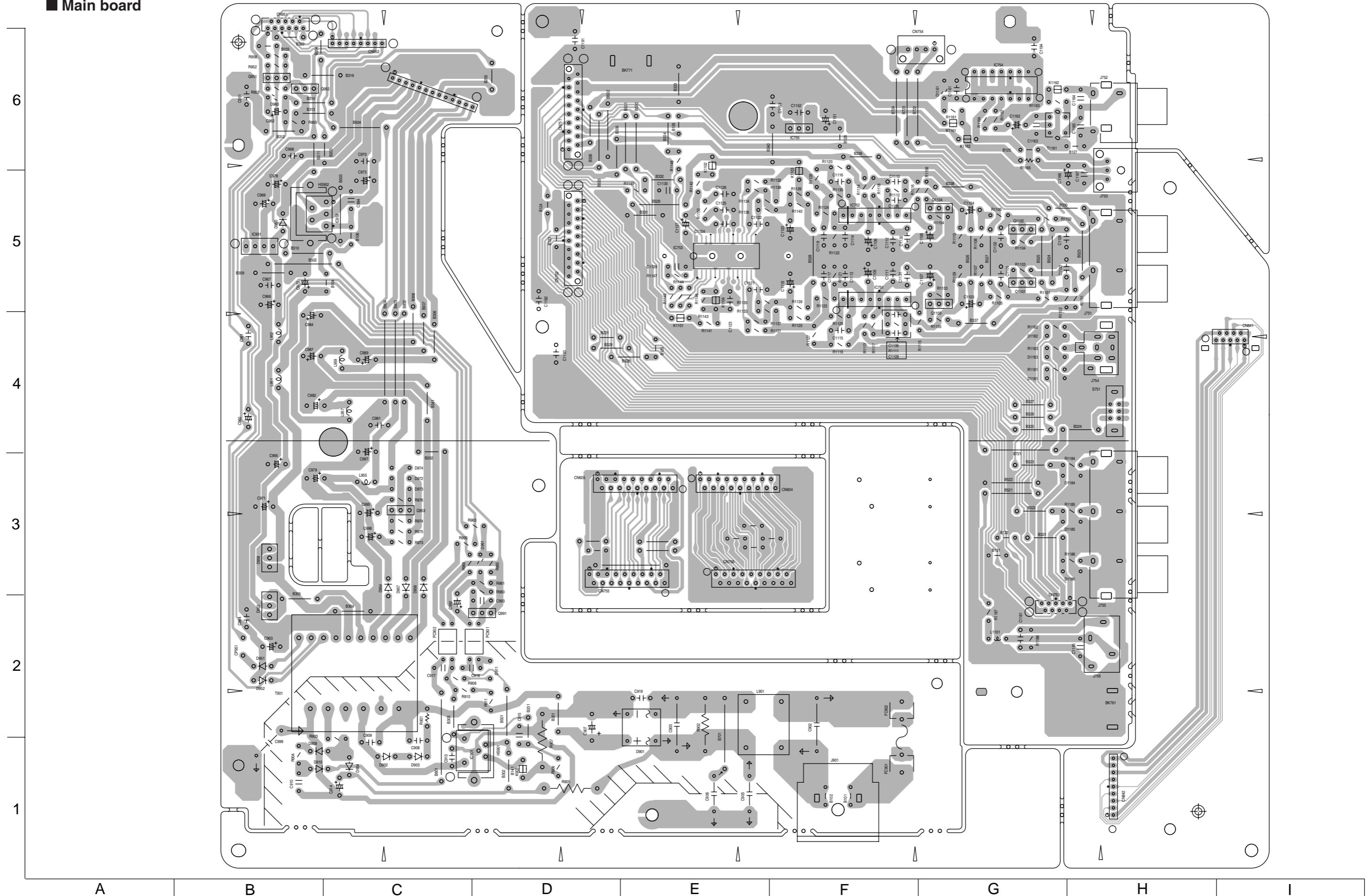


➔ Audio signal

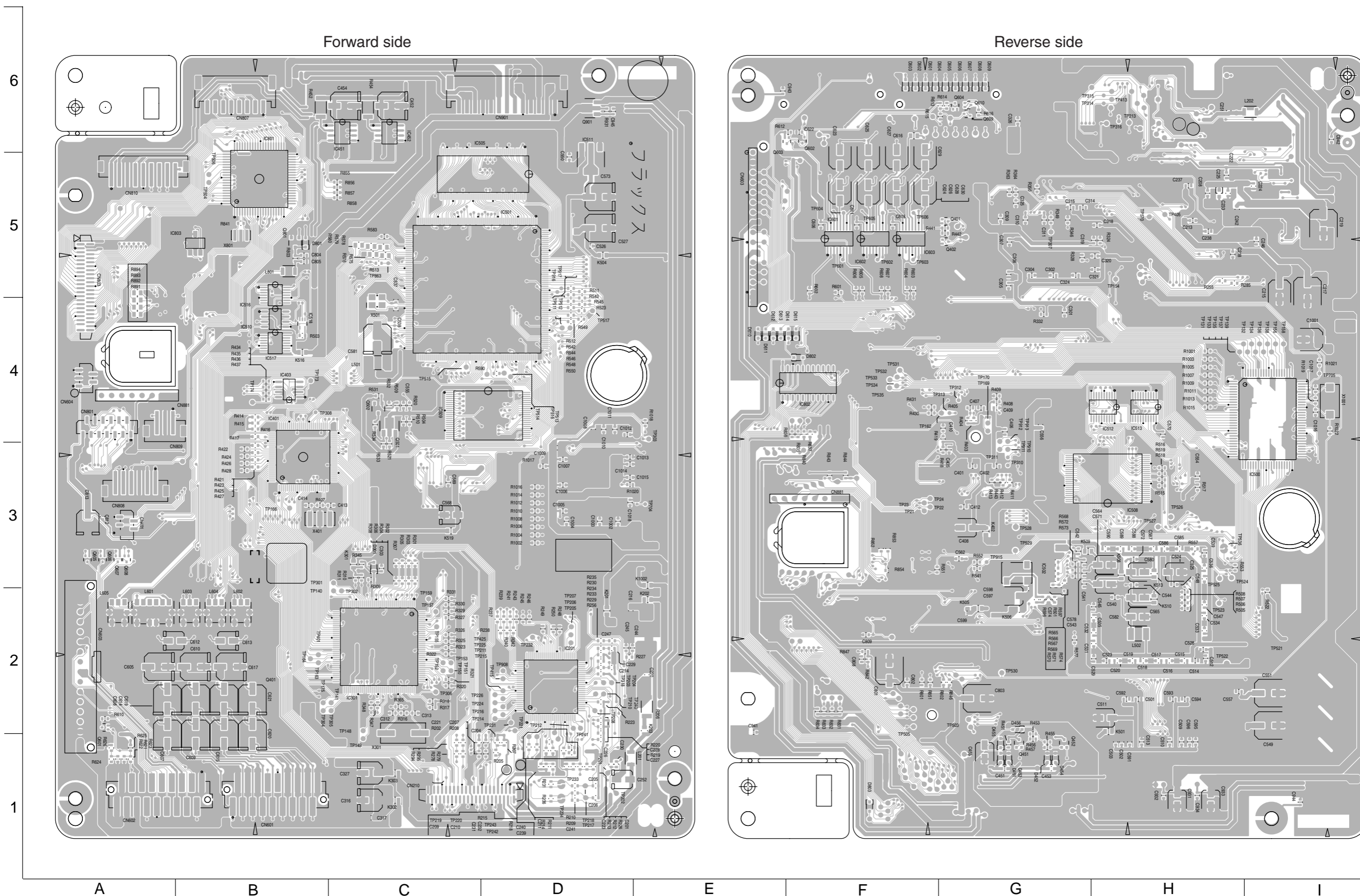
MODEL XV-FA90 SHEET 9/9

Printed circuit boards

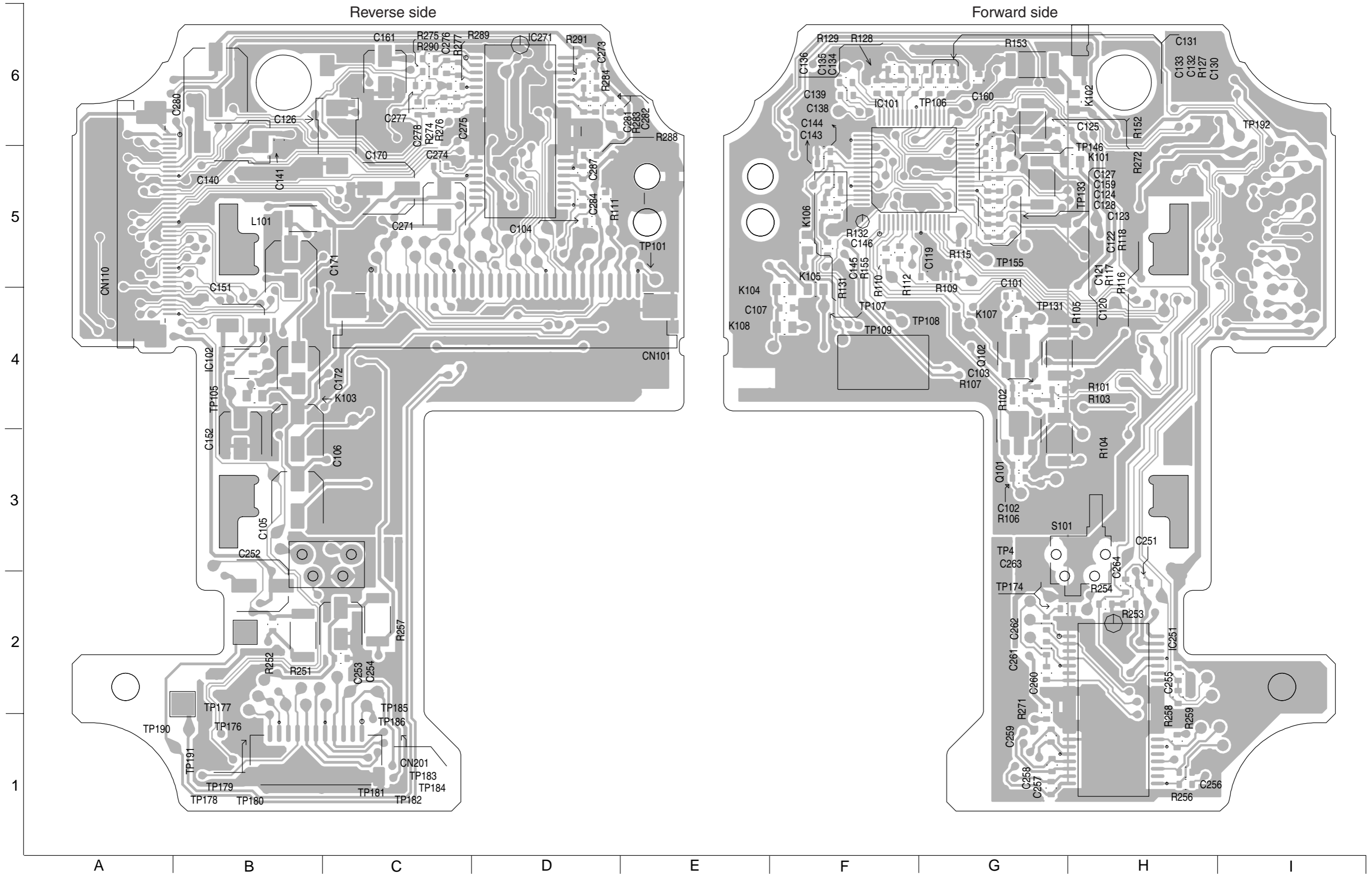
■ Main board



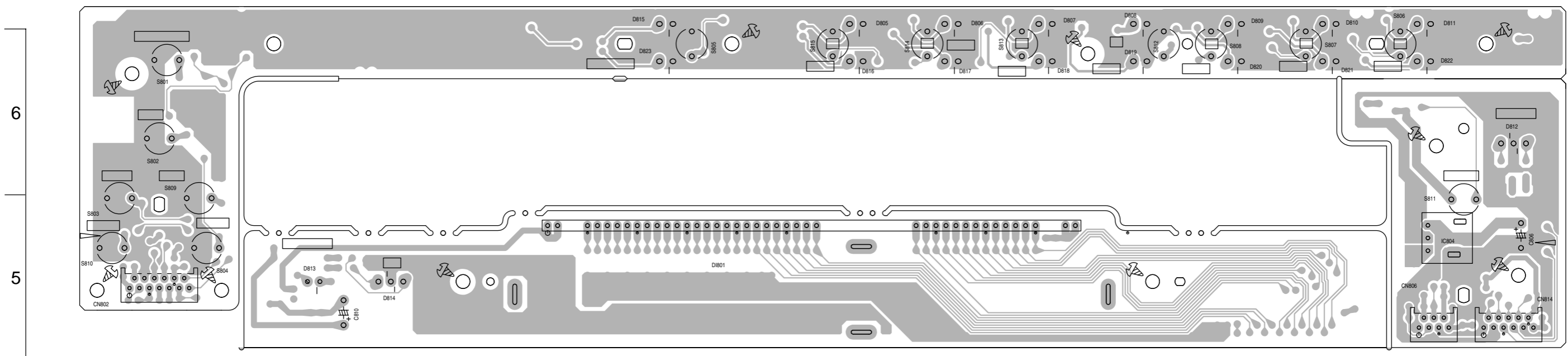
■ Servo control board



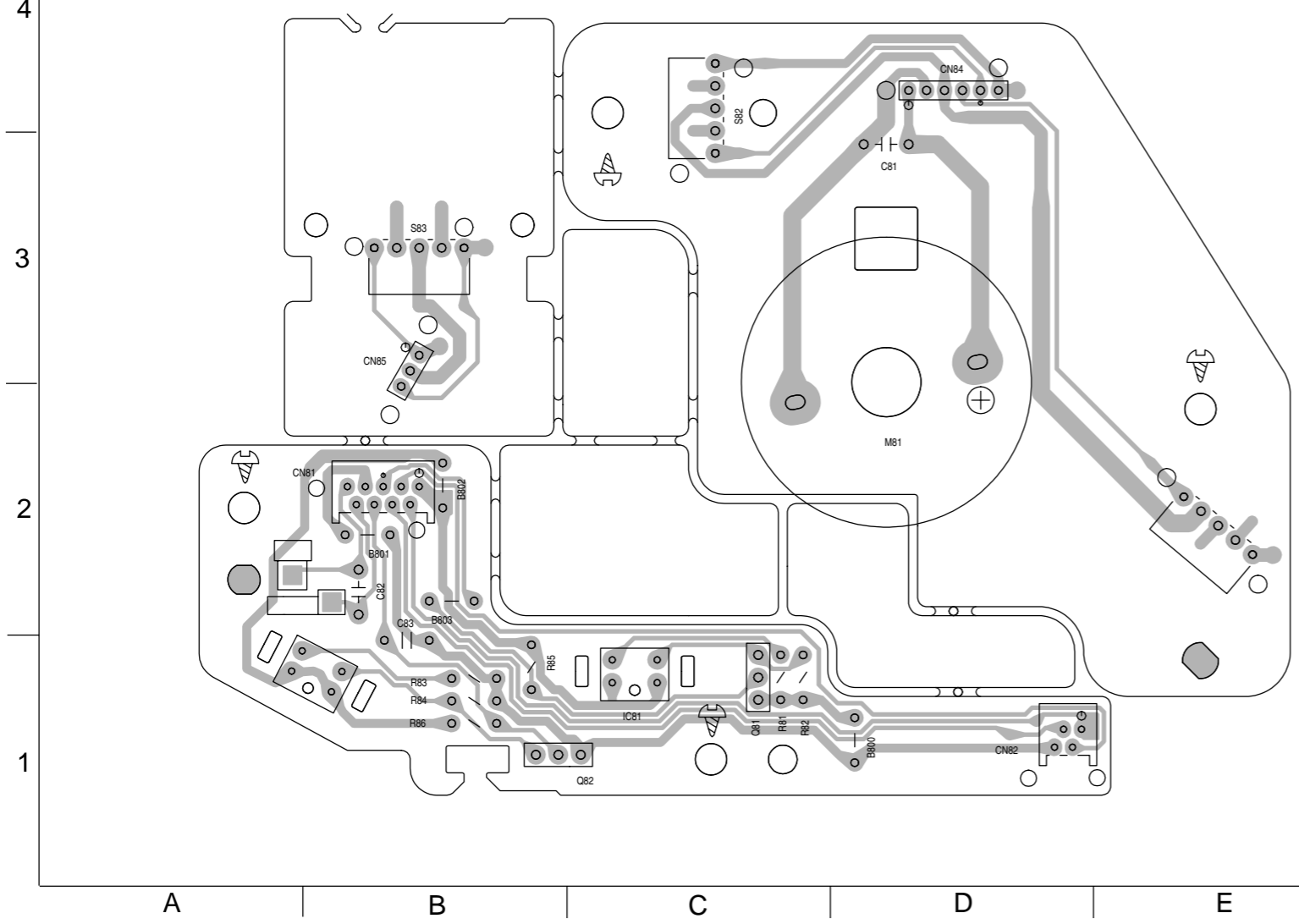
■ Frontend & motor drive section



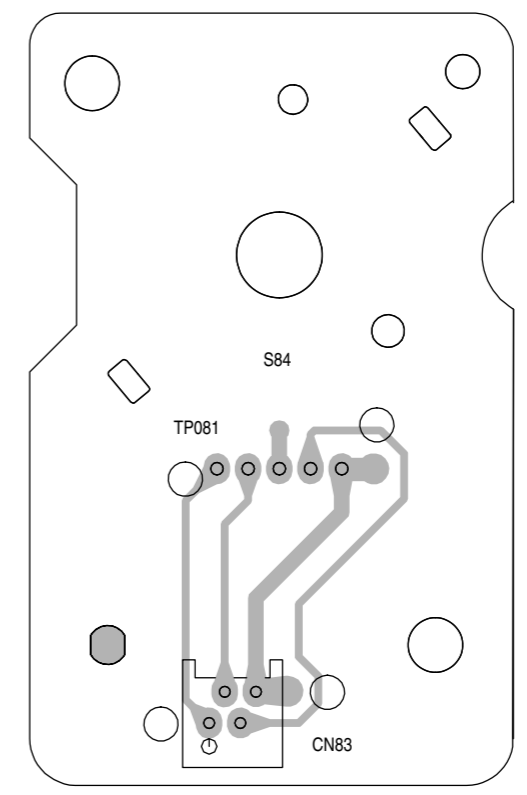
■ Operation switch & FL Display board



■ Motor & detection switch board



■ Cam switch board



■ Surround audio board

